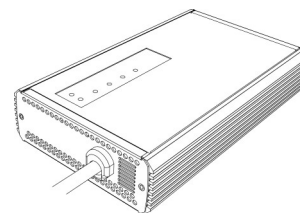


## Datenblatt | Data sheet



**Serie | Series:** Nova-250SR

**Gerätetyp | Device type:** HF-Tischladegeräte | High frequency Battery chargers, desktop type

**Akkutyp | Battery type:** LiFe Akkupacks, 3.0V - 3.3V / Zelle (nominal)  
LiFe Battery packs, 3.0V - 3.3V / Cell (nominal)

<b>Bestellnummer   Order number</b>	166-04183-470	166-08902-470	166-12602-470	166-14502-470	166-15452-470	166-16452-470
<b>VERSION</b>						
<b>DC Ausgang   DC output</b>	<b>4S</b>	<b>8S</b>	<b>12S</b>	<b>14S</b>	<b>15S</b>	<b>16S</b>
Ladeschlußspannung*   Charge-End-Voltage*	14.4V ±1%	28.8V ±1%	43.2V ±1%	50.4V ±1%	54 ±1%	57.6V ±1%
Ladestrom max.   Charge current max.**	18A ±2%	9A ±2%	6A ±2%	5A ±2%	4.5A ±2%	4.5A ±2%
Akkuspannung min.   Battery voltage min.	8V	16V	24V	28V	30V	32V
Ausgangsleistung, nom.   Output power, nom.	260W	260W	260W	250W	250W	260W
Empfohlene Akkus   Recomm. batteries***	18Ah - 220Ah	9Ah - 110Ah	6Ah - 75Ah	5Ah - 65Ah	4.5Ah - 60Ah	4Ah - 55Ah
Wirkungsgrad max.   Efficiency max.	<=92% @ 230VAC					
Restwelligkeit   Ripple	<1%					
Rückstrom   Back current	<1mA					
Ladekabel & Stecker   Charging cable & plug	2-adrig, 1.3m ±0.1m offene Enden   2-core wire, 1.5m ±0.1m with open ends					

### AC Eingang | AC Input

Eingangsspannung   Input voltage	100 - 240VAC 50...60Hz
Eingangsleistung max.   Input power max.	~280W [1.2A @ 230VAC]
Kabel und Stecker   Cable and plug	1.5m ±0.1m fixed AC-cord with country specific plug

### Gehäuse | Enclosure

Werkstoff   Material	Metallgehäuse, lackiert   Metal housing, painted
Gewicht   Weight	ca. 750g
Anzeigen   Indicators	4 LEDs
Elektr. Schutzklasse   Electrical safety class	I
IP-Schutzklasse   IP-code	IP20
Einsatztemperaturbereich Operating temperature range	-20°C...40°C
Kühlung   Cooling	Leistungsabhängiger Lüfter   Load dependent fan

### Besonderheiten | Features

Ladecharakteristik   Charge characteristic	4-Stufen Ladeprofil für Li-Fe Akkupacks   4-Step charge profile for Li-Fe batterie packs
Auto wake up	Automatisches Aktivieren des BMS durch Spannungsimpulse Automatic activation of the BMS through voltage pulses
Programmierung   Programming	Ladeprofil auf Kundenanfrage anpassbar Charge profile customizable on client request
Geräteschutz   Device protection	Überspannung, Übertemperatur, Überlast, Kurzschluss Overvoltage, overtemperature, overload, short circuit

### Zertifizierungen | Certification

CE

\* Ladeschlußspannung auf Anfrage änderbar | Charge-end voltage can be changed on request

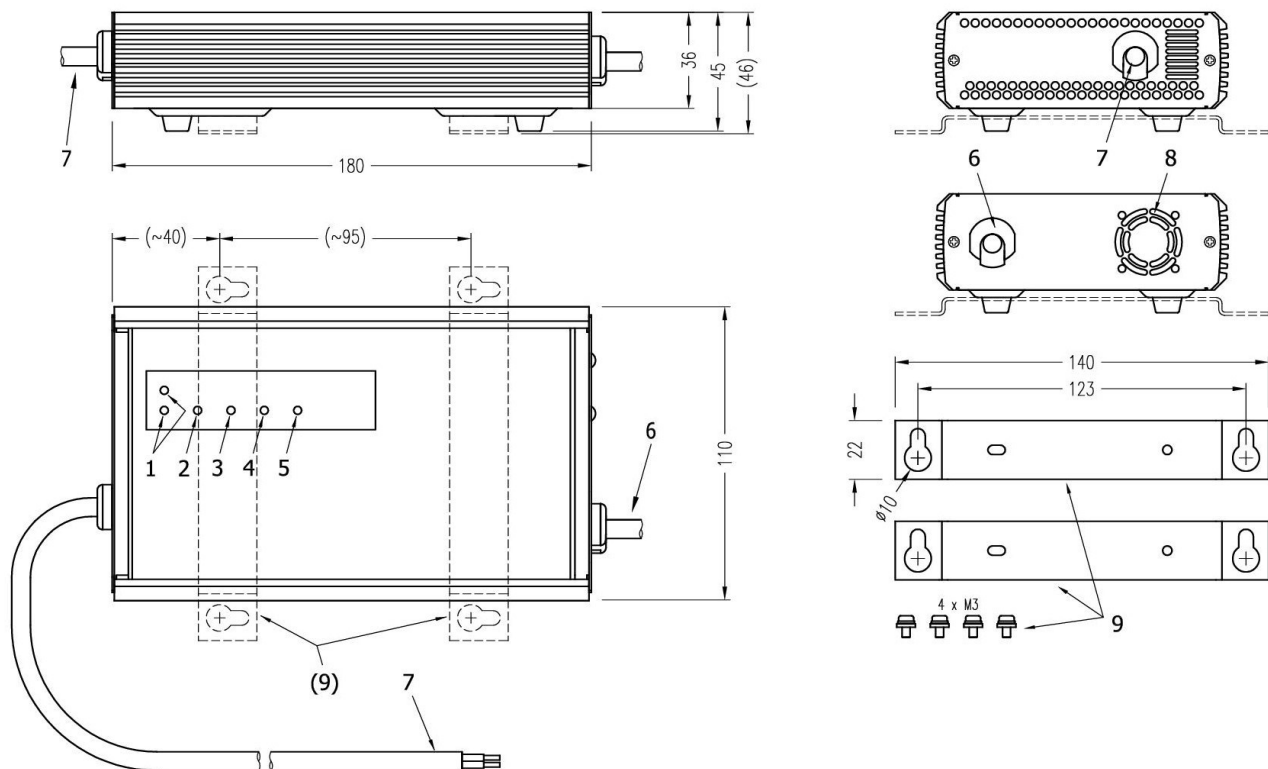
\*\* Ladestrom während dritter Ladephase (CC2) | Charge current during third charge phase (CC2)

\*\*\* Spezifikationen der Akkuhersteller sind vorrangig zu beachten! | Specifications from battery manufacturer take priority!

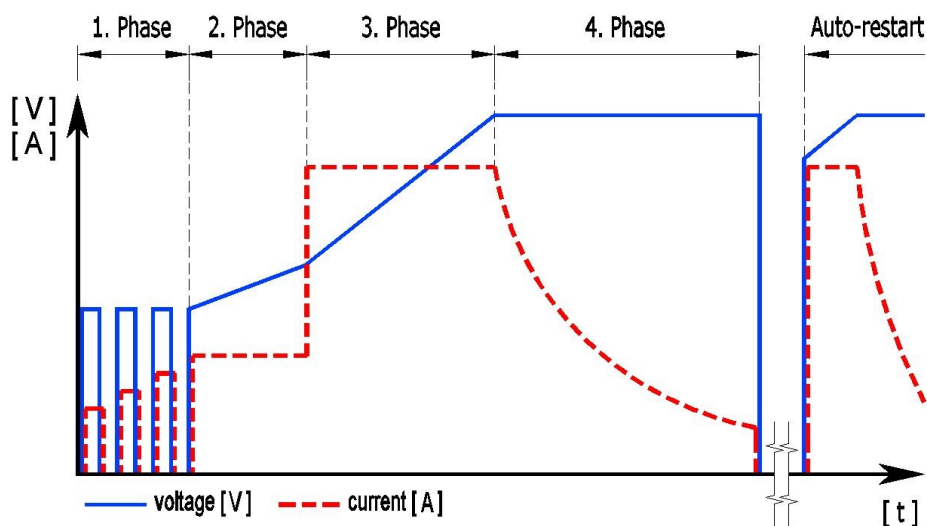
## Produktzeichnung | Product drawing

### Legende | Legend

- |   |  |                                  |
|---|--|----------------------------------|
| 1 IR-LEDs                                 | 5 Fehler LED (rot)   Error LED (red)   | 9 Montage-Set   Wall bracket set |
| 2 Power LED (grün)   green                | 6 Netzkabel (AC)   Power cable (AC)    |                                  |
| 3 Lade LED (gelb)   Charging LED (yellow) | 7 Ladekabel (DC)   Charging cable (DC) |                                  |
| 4 Voll LED (grün)   Full LED (green)      | 8 Lüfter   Fan                         |                                  |



### 4-Stufen Ladeprofil | 4-step charge profile



	1. Phase (pulsing)	2. Phase (CC1)	3. Phase (CC2)	4. Phase (CV)	Auto restart
	Auto wake up	Soft-start	Konstantstrom Constant current	Konstantspannung Constant voltage	Auto restart
Max. Ladespannung   Max. charge voltage	3.6V/cell	2.5V/cell	3.6V/cell	3.6V/cell	after 30 days / $U_b < 3,1$ V/cell
Max. Ladestrom   Max. charge current	50% $I_{max}$	50% $I_{max}$	$I_{max}$	$I_{max}$	
Min. Ladestrom   Min. charge current	25% $I_{max}$	25% $I_{max}$	50% $I_{max}$	10% $I_{max}$	
Schaltkriterium in nächste Phase Trigger criterion to next phase	$U_{bat} < 2.0V/cell / 10$ cycles	$U_{bat} \geq 2.5V/cell /$ timer 4h	$U_{bat} \geq U_{max} /$ timer 20h	$I_b < I_{min} /$ timer 8h	

Ladeparameter auf Anfrage änderbar | Charge Parameters can be changed on request.